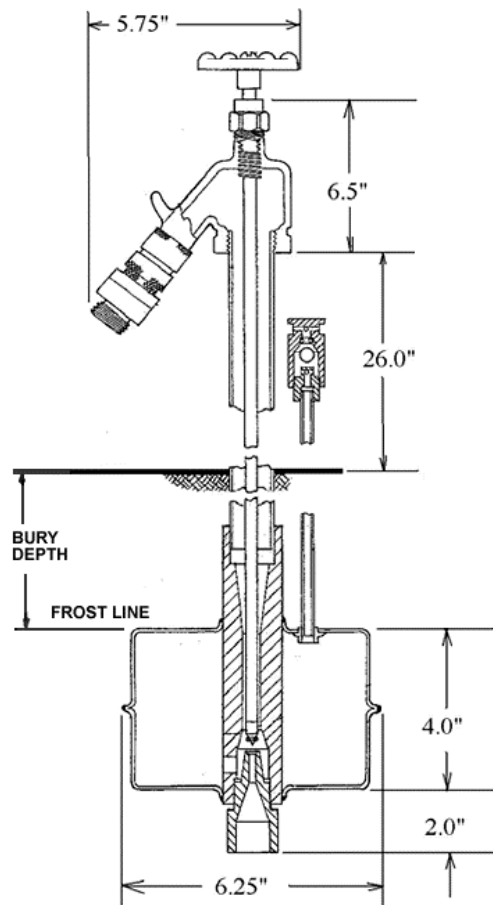


# Freeze Flow Sanitary Yard Hydrant Specs

## Standard Model 213XS (x=bury depth)



Sanitary Yard hydrant shall be the Freezeflow Standard Model # 213XS ( X represents bury depth, i.e. 2134S – 4’ bury) manufactured by Hoeptner Perfected Products, Gilroy, CA .

Yard hydrants shall be certified to ASSE 1057 Sanitary Yard Hydrant Standard and shall drain into a stainless steel canister located below the frost line.

Yard hydrants shall be supplied with a 1011 backflow preventer, wagon wheel turn handle hose bib and a pail hook. The inlet of the hydrant shall be  $\frac{3}{4}$  FIP and the outlet shall be  $\frac{3}{4}$  Hose thread. It shall have a 1” schedule 40 galvanized riser and a self adjusting solid brass operating rod that seals on an easily replaceable o-ring. All moving parts are to be replaceable from the surface without the need to excavate hydrant.

Yard hydrant shall operate at a minimum operating pressure of 20 psi and a max. of 100 psi.

Hoeptner Perfected Products \* 7796 Oak Spring Circle \* Gilroy, CA 95020  
408-847-7615 \* Fax (408) 847-0675 \* [work@garlic.com](mailto:work@garlic.com) \* [www.freezeflow.com](http://www.freezeflow.com)