

Self Closing Sanitary Yard Hydrant Installation Instructions

Freeze Flow hydrants are designed for heavy-duty commercial use where safe potable water is needed. This hydrant drains into the canister below the frost line to prevent freeze ups and cross contamination with the soil bacteria

INSTALLATION

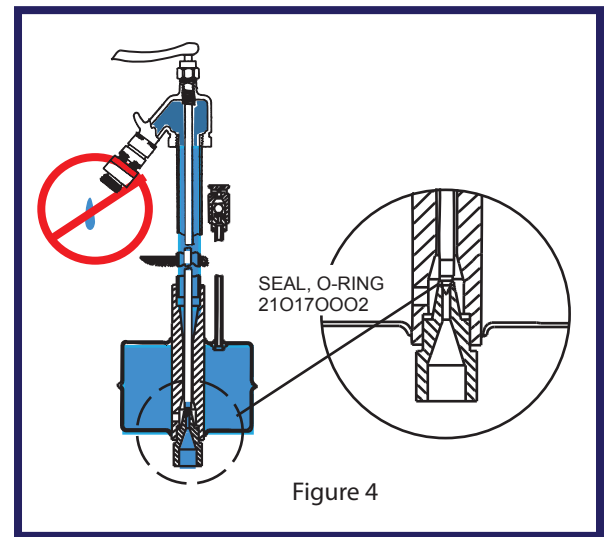
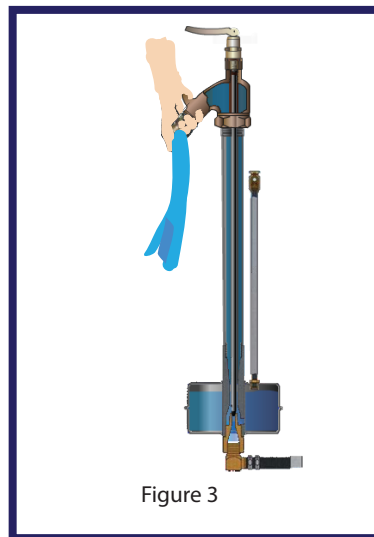
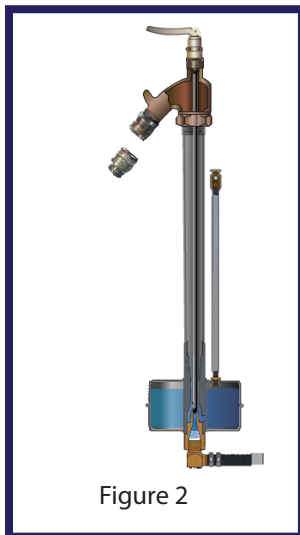
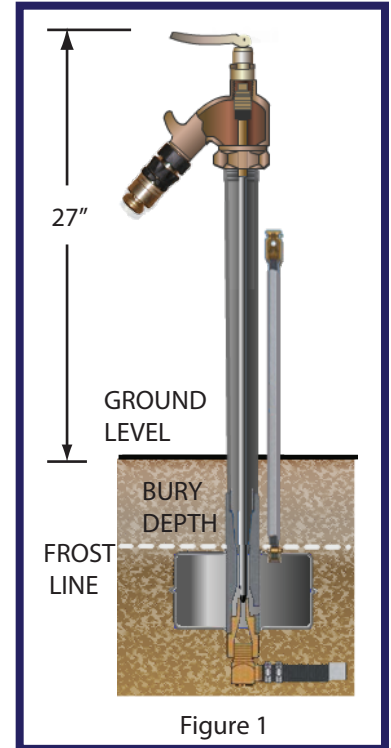
- 1.) Hydrant canister must be placed below existing frost line. Figure 1
- 2.) No ground preparation is required for the Freeze Flow Sanitary Yard Hydrant; therefore it can be placed in any soil condition. Hydrant canister is stainless steel and pipes are all galvanized steel, which meet ASTM specs.
It is still the responsibility of the installer to know his/her soil condition and to ensure that proper corrosion protection is administered to the hydrant. The application of paint or rubber tape may be needed to protect against some soil conditions.
- 3.) Flush supply lines BEFORE installing hydrant.
- 4.) Attach hydrant to existing supply line using an approved thread sealant.
- 5.) BEFORE back filling with soil, perform a Shut Off Valve Leak Check to make sure shut off valve does not leak due to debris in supply line or damaged o-ring. A leaking seat can cause hydrant to fill with water and possibly freeze.

Shut Off Valve Leak Check:

- Remove backflow preventer at quick disconnect (Figure 2)
- Operate hydrant at partial flow with thumb over outlet until the water pressure forces past thumb. (Figure 3).
- At this point shut off hydrant.

[With hydrant full of water it is easier to detect if hydrant is leaking. Hydrant should not drip from outlet once hydrant is full of water.]

- If hydrant leaks from outlet, remove operating rod and replace o-ring on stopper tip. (Figure 4)
- 6.) If no leaks are detected then replace backflow preventer and proceed to back fill hydrant with soil.



Self Closing Sanitary Yard Hydrant Operation and Maintenance Instructions

OPERATION AND MAINTENANCE

1.) Packing Nut Leak

Hydrant is designed to use clean water at 20 psi to 100 psi. Should leakage occur at packing nut, simply tighten nut until leakage stops. If tightening nut does not stop leakage, remove nut and replace with packing. Figure 5

2.) To Change Seal, O-ring

- Unscrew packing nut from under handle.
- Unscrew handle and operating rod from hose bib.
- Lift out operating rod and change o-ring seal on tip.
- Replace operating rod and tighten packing nut.

3.) Leakage from float valve

Leakage from float valve is typically due to not flushing supply lines properly.

- To clean, unscrew Hex Cap from round base.
- Remove ball and o-ring.
- Replace ball and o-ring after cleaning.
- Reassemble Float Valve.

4.) Handle/operating rod adjustment

- No adjustment is necessary.

5.) To prevent unauthorized use, the hydrant wheel handle can be removed.

6.) NOTE: If the hydrant has not been used for a long period of time, it is advisable to flush the hydrant for 60 seconds when water is used for drinking.

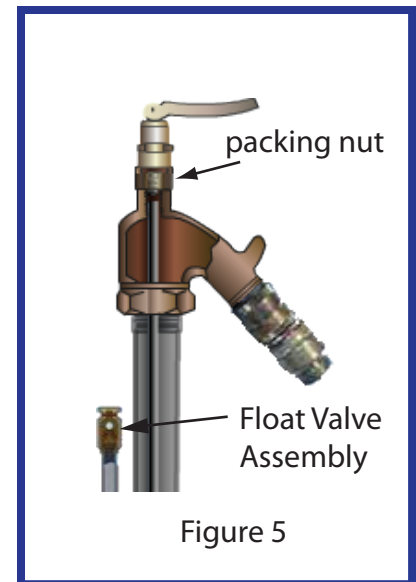
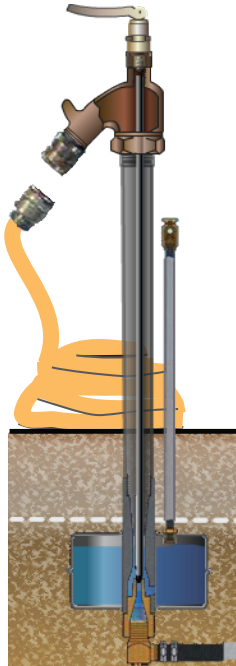


Figure 5

Sanitary Yard Hydrant Winterizing Instructions

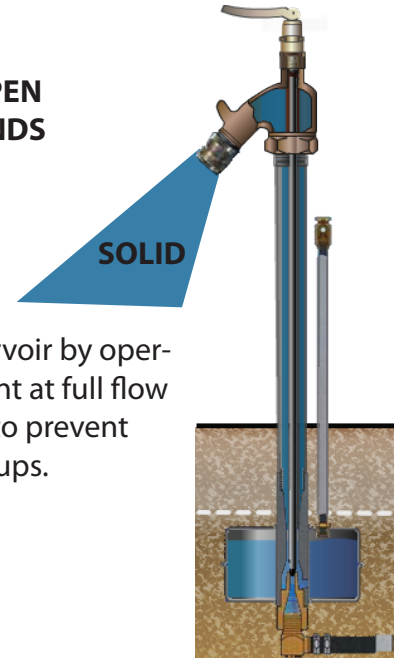
1.) NO RESTRICTIONS, REMOVE HOSE AND BACKFLOW PREVENTER IF USED

To prevent freezing during the winter months, it is essential that the hydrant reservoir be evacuated to ensure proper drainage of the standpipe. Any restriction downstream of the factory supplied hose bib will prevent the hydrant reservoir from emptying. Therefore, for winter use, remove the hose and backflow preventer, if used, using the quick disconnect supplied.



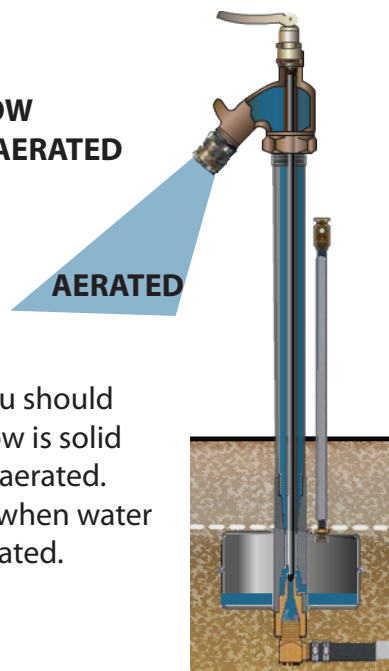
2.) FULLY OPEN 30 SECONDS

Empty the reservoir by operating the hydrant at full flow for 30 seconds to prevent hydrant freeze-ups.



3.) WATER FLOW BECOMES AERATED

During this time you should notice the water flow is solid and then becomes aerated. Reservoir is empty when water exiting outlet is aerated.



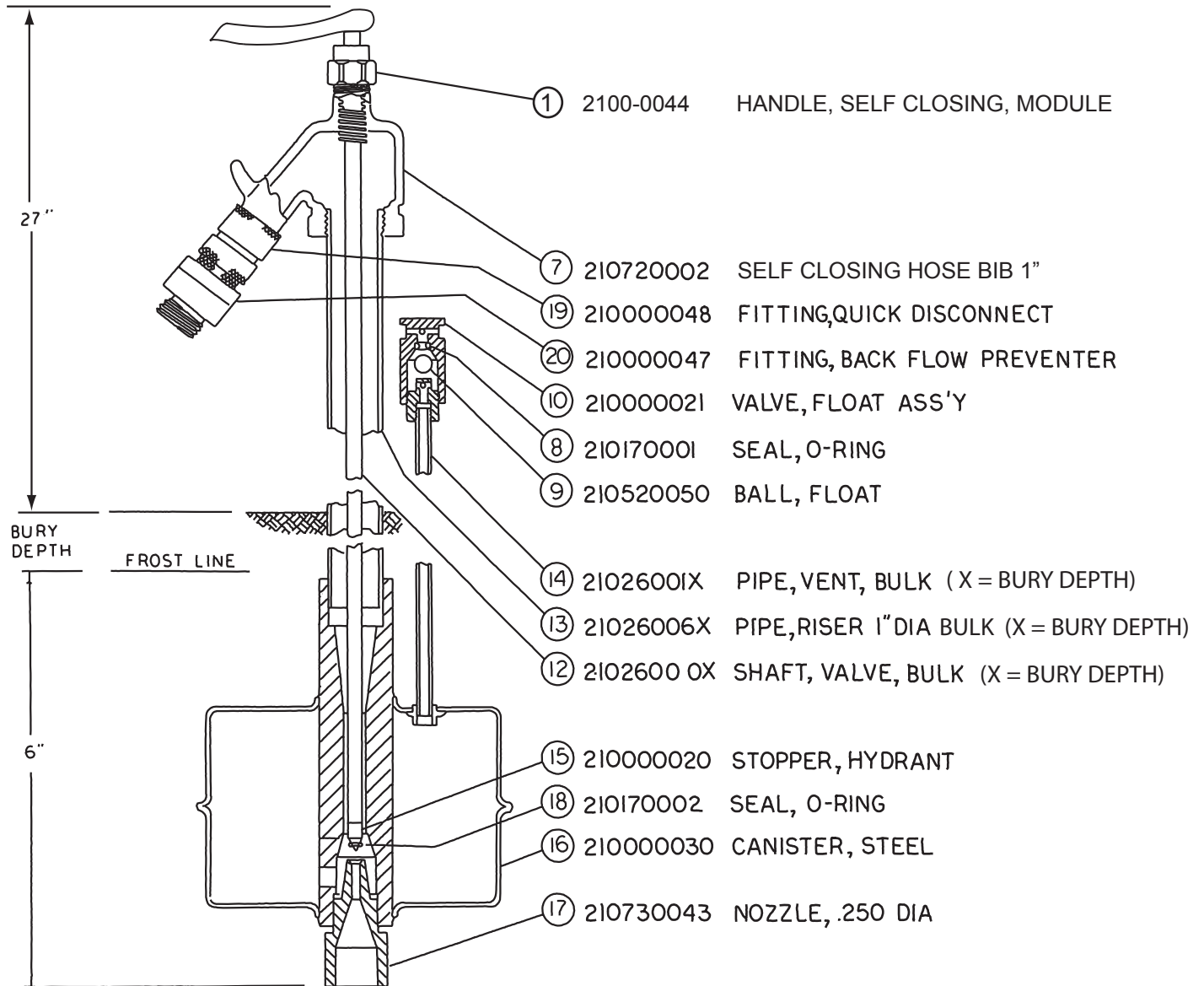
4.) FINISHED, SHUT OFF HYDRANT

Shutting off hydrant at this point will permit the water in the standpipe to drain back into the empty reservoir.



More Winterizing information is available at www.freeze-flow.com

Self Closing Sanitary Yard Hydrant Parts Diagram



Patent# 4,854,339 5,033,500 other patents pending

HOEPTNER PERFECTED PRODUCTS

7796 Oak Spring Circle, Gilroy, CA 95020 * Ph 408-847-7615 / Fax 408-847-0675
work@garlic.com * www.freeze-flow.com



Hoeptner Products

MANUFACTURER'S LIMITED ONE YEAR WARRANTY

Hoeptner Perfected Products warrants this product to be free from defects in material or workmanship for a period of one year from date of original shipment. Hoeptner Perfected Products will, at its option, repair or replace any part of this product that proves, upon our inspection, and within one year from date of shipment, to be defective in material or workmanship. Transportation costs or charges incidental to warranty service are to be borne by the purchaser-user. This warranty does not apply to goods or parts not manufactured by Hoeptner Perfected Products, instead Hoeptner Perfected Product's obligation for these parts is limited to the actual warranty extended to Hoeptner Perfected Products by the manufacturer. This shall constitute the exclusive remedy for breach of warranty, and Hoeptner Perfected Products shall not be responsible for any incidental or consequential damages, including without limitation, damages or other costs resulting from labor charges, delays, vandalism, negligence, fouling caused by foreign material, damage from adverse water conditions, chemicals, or any other circumstances over which Hoeptner Perfected Products has no control. This warranty shall be invalidated by any abuse, misuse, misapplication or improper installation of the product.

Hoeptner Perfected Products makes no other warranties express or implied of any kind with respect to the goods, parts and materials, including but not limited to, any implied warranty as to merchantability or as to the fitness of the merchandise for a particular use and shall not be liable for any loss or damage, directly or indirectly, arising from the use of such merchandise or for consequential or incidental damages

RETURN POLICY

All products returned must be in new, perfect condition in their original packaging. We will not accept returns after 30 days. All returns are subject to a 25% restocking fee. Shipping charges will not be refunded.

All returns must be authorized in advance and be issued a Return Authorization Number - please call or e-mail us before sending returns. Returns sent to us without prior authorization will be refused delivery.

IMPLIED WARRANTY

There is no warranty other than the Manufacture's Limited One Year Warranty.

HOEPTNER PRODUCTS

7796 Oak Spring Circle, Gilroy, CA 95020 * Ph 408-847-7615 / Fax 408-847-0675
work@garlic.com * www.freeze-flow.com